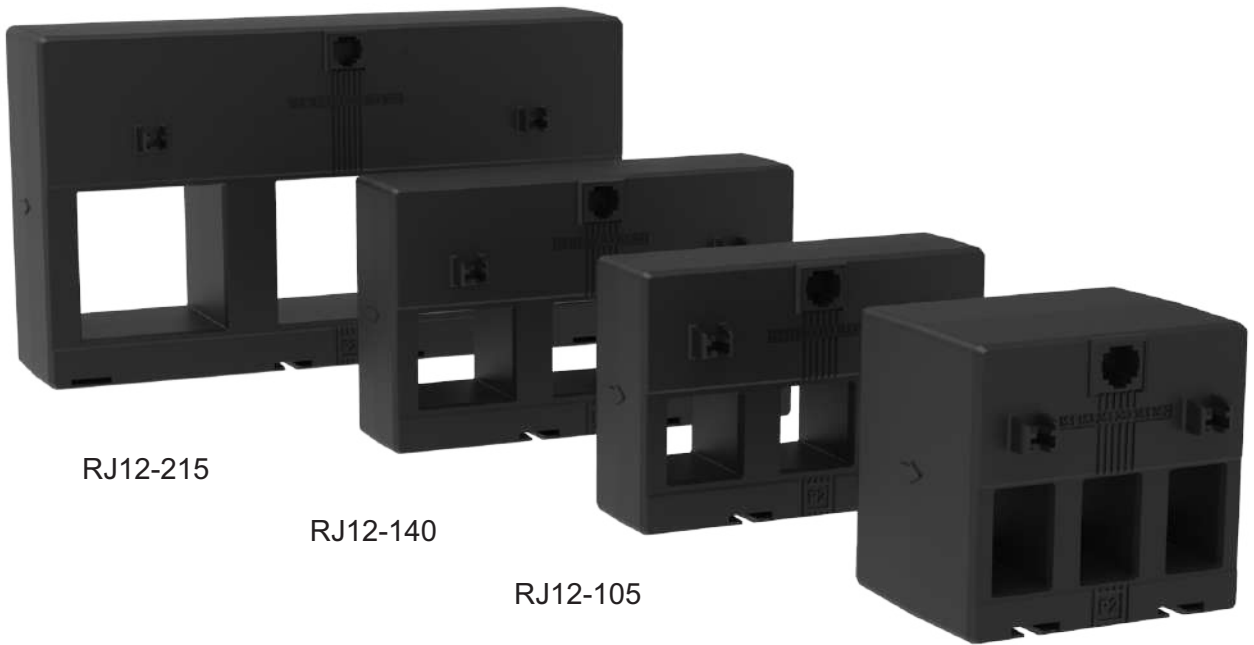




Data Sheet

RJ 12 CT SERIES

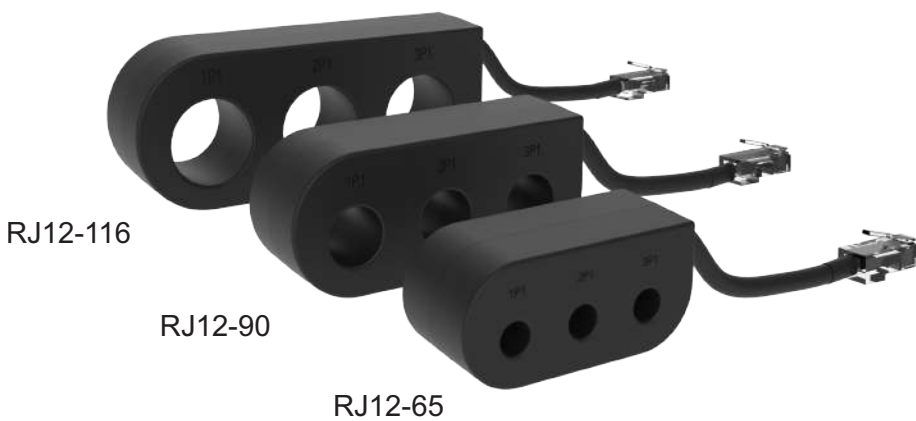


RJ12-215

RJ12-140

RJ12-105

RJ12-75



RJ12-116

RJ12-90

RJ12-65



Measure



Control



Record



Analyze

Product Features:

- ☞ Transmission of measuring signal to the measuring unit via RJ12 connection cable.
- ☞ RJ12 socket for fast connection eliminate wiring errors.
- ☞ 3 phase current transformer have been designed with hole centers and apertures to fit most standard industrial circuit breakers.
- ☞ Various mounting options like bus bar mounting, wall mounting, universal din rail mounting.

Technical Specifications:

Applicable Standards	IEC 61869 - Part 2
Case	Polycarbonate, Flame retardant grades classified UL94V-0
Connection	RJ 12 connection.
Insulation Class	E (120°C)
Maximum Operating Voltage (Um)	0.72 kV Maximum.
Test Voltage	3 kV, 50 Hz for 1 Minute.
Operating Frequency	50 Hz
Rated Primary Rating	60 A to 800 A (RJ12-75 / 105 / 140 / 215) 63 A, 125 A and 250A (RJ12-65 / 90 / 116)
Rated Secondary Output	0.1A
Rated Burden	0.25VA, 0.5VA (RJ12-75 / 105 / 140 / 215) 0.1VA (RJ12-65 / 90 / 116)
Class of Accuracy	1.0 (RJ12-75 / 105 / 140 / 215) 0.5 (RJ12-65 / 90 / 116)
Instrument Security Factor (FS)	5, 10* & 15*
Operating Temperature	-25 ° C to +40° C
Storage Temperature	-50 ° C to +80° C
Thermal Short Circuit Rated Current (Ith)	40 X In
Dynamic Short Circuit Current (Idyn)	2.5 X Ith
Thermal Nominal Continuous Rated Current (Icth)	1.2 X In

RJ-12 Cable Specification

- ☞ Cable length : 2m max (White) for RJ12-75 / 105 / 140 / 215 CT
1.5m max (Black) for RJ12-65 / 90 / 116 CT
- ☞ Conductor : 26 AWG stranded bare copper
- ☞ Insulation : Polypropylene
- ☞ Thickness:- 2.4 +/- .2 *
- ☞ Color-coded : White - Black - Blue - Red - Green - Yellow
- ☞ Jacket : PVC
- ☞ Voltage : Max150V
- ☞ UL Listed
- ☞ Size of Conductor 26 AWG stranded copper wire
- ☞ Temperature, MaxUp to 60°C
- ☞ Flame retardant material
- ☞ Silver satin cable
- ☞ Pinned-straight
- ☞ Designed for RJ plugs

* Not applicable to RJ12-65 / 90 / 116 CT



Measure



Control



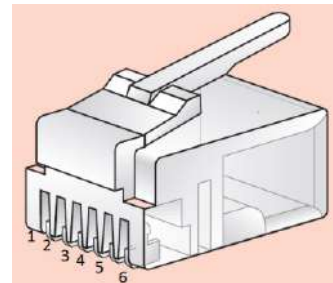
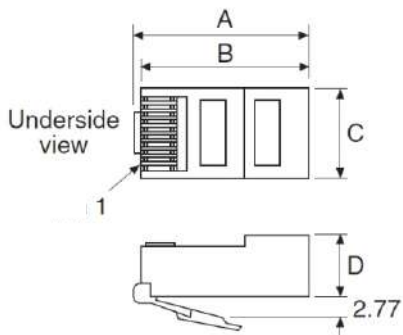
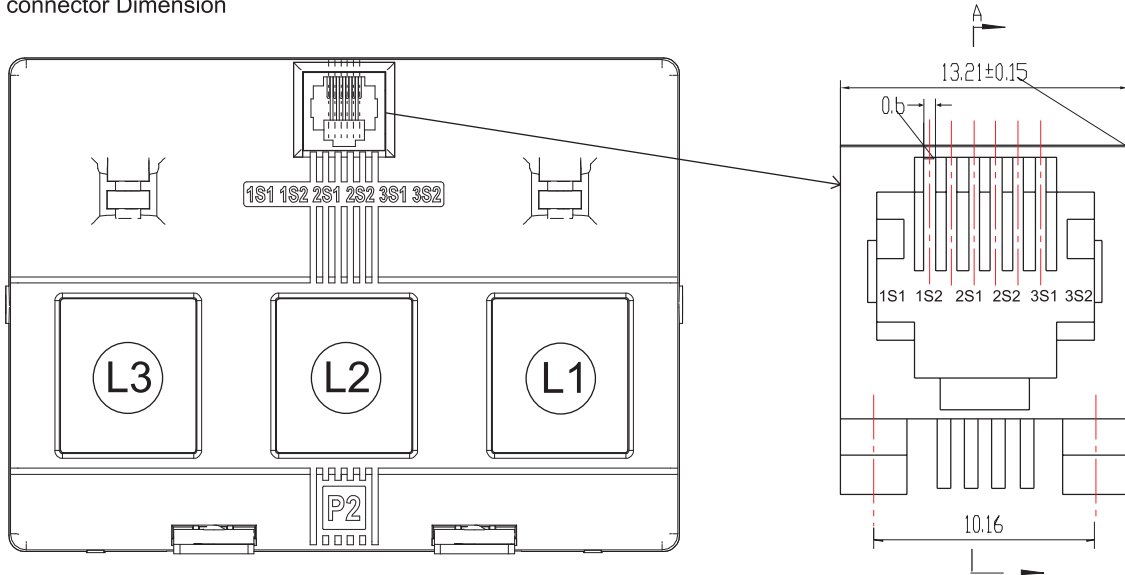
Record



Analyze

RJ-12 Connector

- Insulation resistance : 1000 Megaohms
- RJ 12 connector Dimension



Ways	A	B	C	D
6	13.35	12.43	9.65	6.6

PIN CONNECTION	1	2	3	4	5	6
Meter side	3S2	3S1	2S2	2S1	1S2	1S1
CT Side	1S1	1S2	2S1	2S2	3S1	3S2



Measure



Control

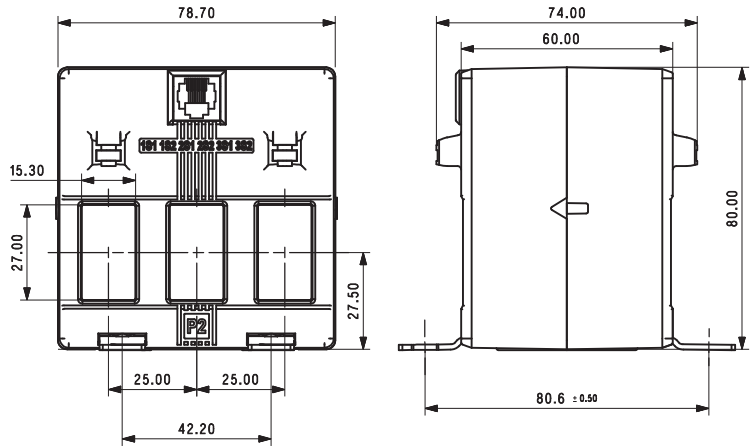


Record



Analyze

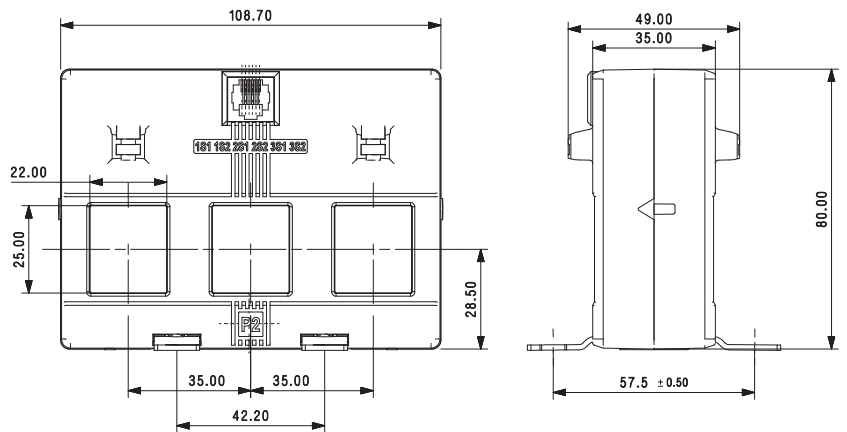
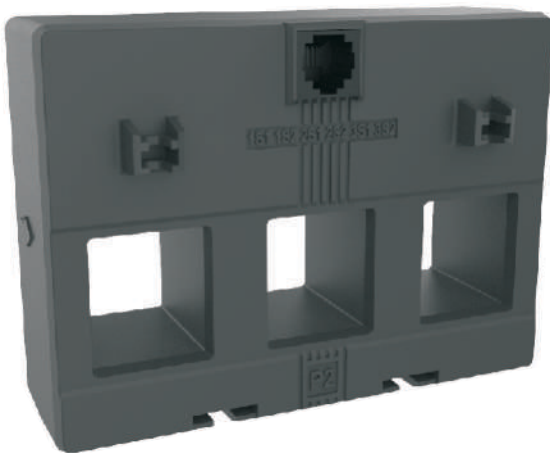
RISH RJ 12-75



ALL DIMENSIONS ARE IN MM

Primary Current	Secondary Current	RJ 12 - 75
		Accuracy 1.0
60 A	0.1 A	0.25 VA
100 A	0.1 A	0.25 VA
125 A	0.1 A	0.25 VA
160 A	0.1 A	0.25 VA

RISH RJ 12-105



ALL DIMENSIONS ARE IN MM

Primary Current	Secondary Current	RJ 12 - 105
		Accuracy 1.0
60 A	0.1 A	0.25 VA
125 A	0.1 A	0.35 VA
160 A	0.1 A	0.5 VA
250 A	0.1 A	0.5 VA



Measure



Control

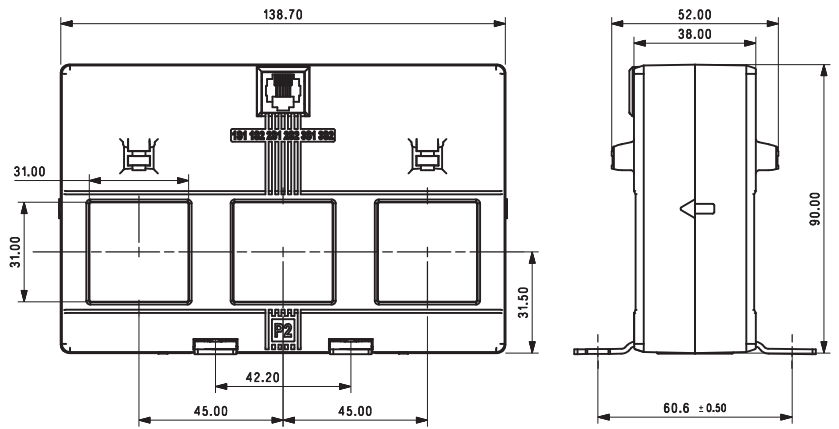
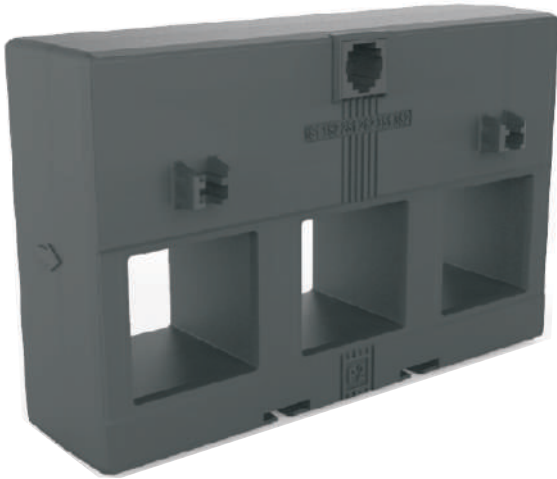


Record



Analyze

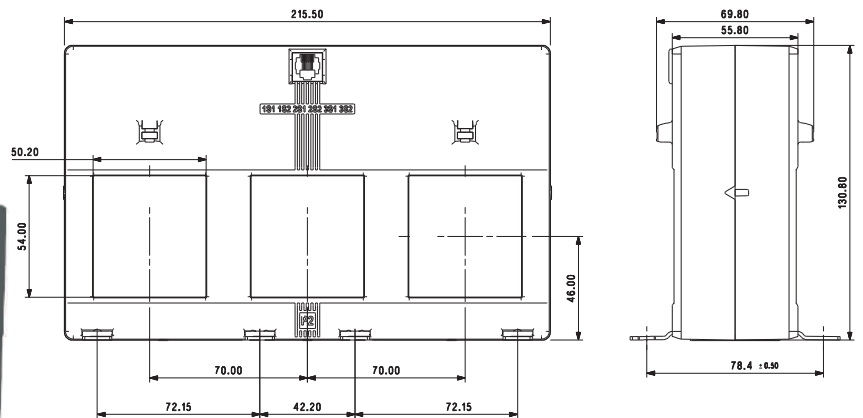
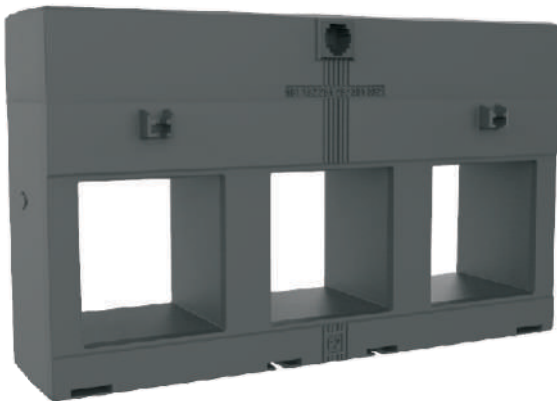
RISH RJ 12-140



ALL DIMENSIONS ARE IN MM

Primary Current	Secondary Current	RJ 12 - 140
		Accuracy
250 A	0.1 A	1.0
400 A	0.1 A	0.25 VA
630 A	0.1 A	0.25 VA

RISH RJ 12-215



ALL DIMENSIONS ARE IN MM

Primary Current	Secondary Current	RJ 12 - 215
		Accuracy
750 A	0.1 A	1.0
800 A	0.1 A	0.5 VA
		0.5 VA



Measure



Control

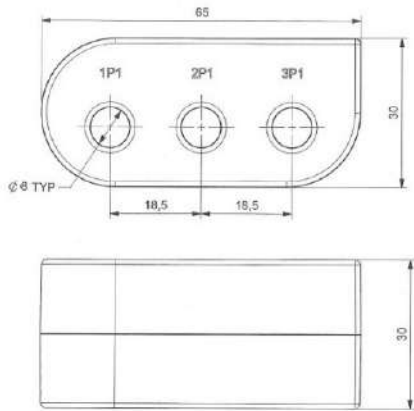


Record

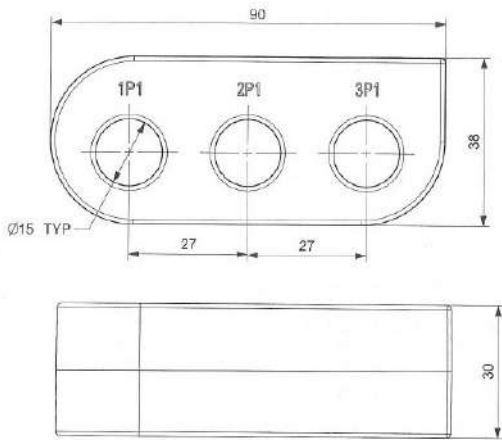


Analyze

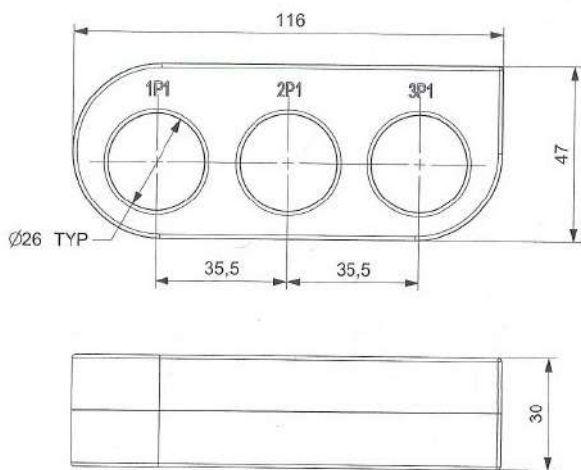
RISH RJ 12 - 65 / 90 / 116



RJ 12 - 65 : 63 A



RJ 12 - 90 : 125 A



RJ 12 - 116 : 250 A



Measure



Control



Record



Analyze

Ordering Information:

Order Code for RJ12 - 75

Product Code	XRJ	X-	XX	X	X	X	X	0000000
Type	RJ 12-75	1						
Primary Current	60 A		01					
	100 A		02					
	125 A		03					
	160 A		04					
Secondary Output	0.1 A			2				
VA	0.25 VA				A			
Accuracy Class	1					1		
Colour	Black						B	
	Gray						G	

*Example : RJ12-75, 125/0.1A, Class 1, Gray : XRJ1-032A1G0000000

Order Code for RJ12 - 105

Product Code	XRJ	X-	XX	X	X	X	X	0000000
Type	RJ 12-105	2						
Primary Current	60 A		01					
	125 A		03					
	160 A		04					
	250 A		05					
Secondary Output	0.1 A			2				
VA	0.25 VA				A			
	0.35 VA				B			
	0.5 VA				C			
Accuracy Class	1					1		
Colour	Black						B	
	Gray						G	

*Example : RJ12-105, 160/0.1, 0.35VA, Class 1, Black: XRJ2-042B1B0000000



Measure



Control



Record



Analyze

Ordering Information:

Order Code for RJ12 - 140

Product Code	XRJ	X-	XX	X	X	X	X	0000000
Type	RJ 12-140	3						
Primary Current	250 A		05					
	400 A		06					
	630 A		07					
Secondary Output	0.1 A		2					
VA	0.25 VA				A			
Accuracy Class	1					1		
Colour	Black						B	
	Gray						G	

*Example: RJ12-140, 400/0.1 A, 0.25 VA, Class 1, Gray: XRJ3-062A1G0000000.

Order Code for RJ12 - 215

Product Code	XRJ	X-	XX	X	X	X	X	0000000
Type	RJ 12-215	4						
Primary Current	750 A		08					
	800 A		09					
Secondary Output	0.1 A			2				
VA	0.5VA				C			
Accuracy Class	1					1		
Colour	Black						B	
	Gray						G	

*Example: RJ12-215, 750/0.1 A, 0.5 VA, Class 1, Black: XRJ4-082C1B0000000.



Measure



Control



Record



Analyze

Ordering Information:

Order Code for RJ12 - 65 / 90 / 116

Product Code	X30X	XXX	XX	X	X	X	X	XX	XX
Type	RJ12-65 63 A	X308							
	RJ12-90 125 A	X306							
	RJ12-116 250 A	X307							
Primary Current	63 A	063							
	125 A	125							
	250 A	250							
Secondary Current	100 mA		10						
VA	0.1 VA			1					
Accuracy Class	0.5				1				
Colour	Black						B		
	Gray						G		
Company Code	RISHABH							R	
	Other							L	
Reserved									RJ
Customer Specific									00

Example :

Sr.No	Description	Ordering Code
1	NanoCT RJ12 65/8 63/100 mA, 0.1VA, CL0.5	X308-0631011BRRJ00
2	NanoCT RJ12 90/15 125/100 mA, 0.1VA, CL 0.5	X306-1251011GLRJ00
3	NanoCT RJ12 116/26 250/100 mA, 0.1VA, CL 0.5	X307-2501011GRRJ00



Measure



Control



Record



Analyze



RISHABH



Measure



Control



Record



Analyze

RISHABH INSTRUMENTS PVT. LTD.

Trishala Unit, C-6, NICE Area, MIDC, Satpur, Nashik - 422007, India.

Tel: +91 253 2202371 / 028 | Fax: +91 253 2351064 | E-mail: marketing@rishabh.co.in | www.rishabh.co.in